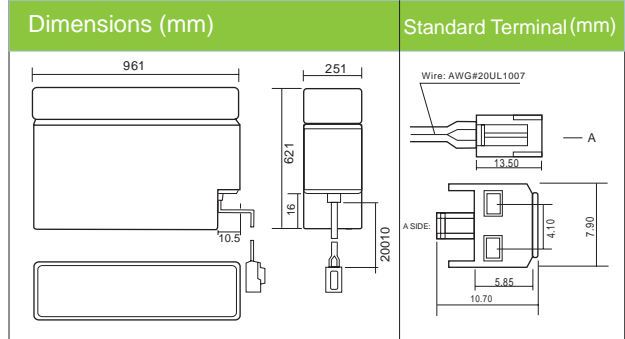
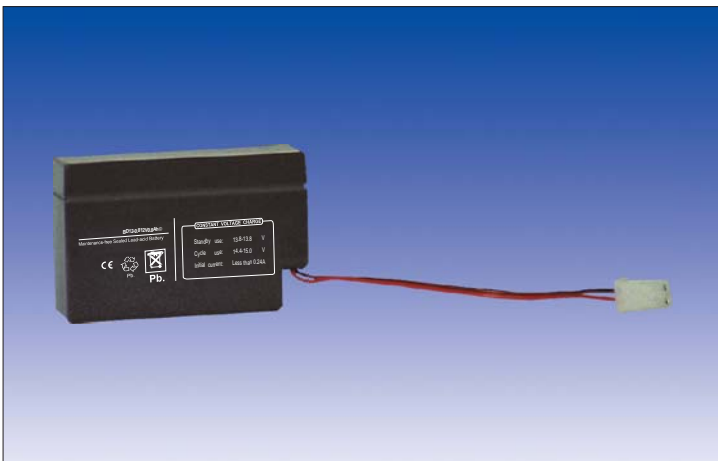
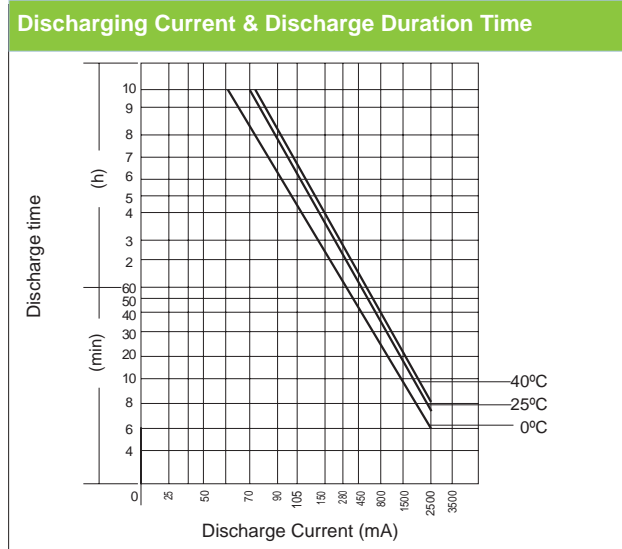


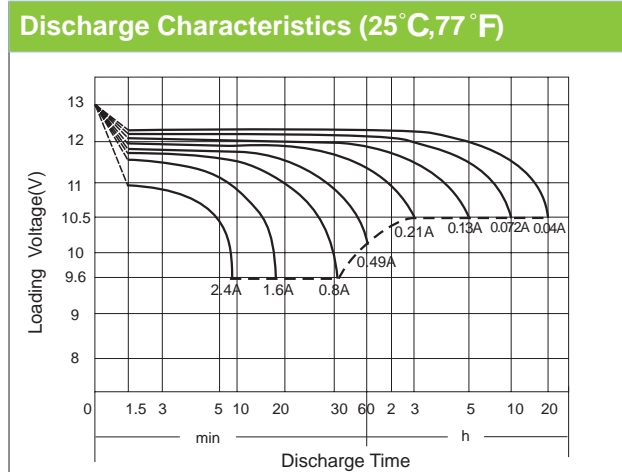
BD12-0.8 (12V0.8Ah)



| PHYSICAL SPECIFICATION | | |
|------------------------|---------------------------|--------------------------|
| Nominal Voltage | | 12V |
| Nominal Capacity (20h) | | 0.8Ah |
| Dimension | Length | 96±1mm (3.78 inches) |
| | Width | 25±1mm (0.98 inches) |
| | Container Height | 62±1mm (2.44 inches) |
| | Total Height (with Cover) | 62±1mm (2.44 inches) |
| Weight | | Approx. 0.34kg (0.75lbs) |
| Standard Terminal | | / |



| ELECTRICAL SPECIFICATION | | | | | |
|----------------------------------|--|--------|-------------------------|---|---|
| Rated Capacity | 20 hour rate (40 mA) | 0.8Ah | Constant-Voltage Charge | Cycle | Initial Charging Current less than 0.24A. Voltage 14.4V~15.0V at 25°C (77°F) Temp. Coefficient -30mV/°C |
| | 10 hour rate (72 mA) | 0.72Ah | | | |
| | 5 hour rate (0.13A) | 0.65Ah | | | |
| | 1 hour rate (0.49A) | 0.49Ah | | | |
| | 15 minute rate (1.2A) | 0.3Ah | | | |
| Capacity affected by Temperature | 40°C (104°F) | 103% | Standby Charge | No limit on Initial Charging Current Voltage 13.5V~13.8V at 25°C(77°F) Temp. Coefficient -20mV/°C | |
| | 25°C (77°F) | 100% | | | |
| | 0°C (32°F) | 86% | | | |
| Internal Resistance | Fully charged battery (25°C, 77°F) 100mΩ | | | | |



| Constant Current (Amp) and Constant Power (Watt/Cell) Discharge Table | | | | | | | | | | | | Discharge Time (Minute) to final voltage /cell | | | | |
|---|------|------|------|-----|-----|-----|-----|------|-----|-----|------|--|------|------|--|--|
| Final voltage | Time | 0.5 | 1 | 2 | 3 | 6 | 10 | 20 | 30 | 60 | 120 | 180 | 300 | 600 | | |
| 1.75V | A | 4.8 | 4.4 | 4.0 | 3.2 | 2.8 | 2.2 | 1.0 | 0.8 | 0.5 | 0.26 | 0.21 | 0.13 | 0.07 | | |
| 25°C | W | 7.6 | 6.6 | 6.0 | 4.8 | 4.2 | 3.6 | 1.8 | 1.1 | 0.9 | 0.53 | 0.41 | 0.26 | 0.15 | | |
| 1.70V | A | 6.5 | 5.8 | 5.3 | 4.2 | 3.2 | 2.3 | 1.1 | 0.9 | 0.5 | 0.29 | 0.22 | 0.14 | 0.08 | | |
| 25°C | W | 10.5 | 9.0 | 8.1 | 6.6 | 4.9 | 3.7 | 1.9 | 1.5 | 1.0 | 0.55 | 0.44 | 0.28 | 0.15 | | |
| 1.60V | A | 8.5 | 7.4 | 6.6 | 5.2 | 3.8 | 2.4 | 1.2 | 0.9 | 0.5 | 0.30 | 0.23 | 0.15 | 0.09 | | |
| 25°C | W | 12.2 | 10.5 | 9.4 | 7.4 | 5.4 | 4.1 | 2.0 | 1.5 | 1.0 | 0.58 | 0.45 | 0.29 | 0.16 | | |
| 1.75V | A | 4.2 | 3.8 | 3.6 | 2.8 | 2.1 | 1.8 | 0.9 | 0.8 | 0.4 | 0.24 | 0.18 | 0.13 | 0.07 | | |
| 5°C | W | 6.7 | 6.0 | 5.6 | 4.4 | 3.6 | 3.0 | 1.7 | 1.0 | 0.7 | 0.45 | 0.36 | 0.23 | 0.13 | | |
| 1.70V | A | 5.8 | 5.4 | 4.8 | 3.8 | 2.9 | 2.1 | 1.0 | 0.8 | 0.4 | 0.25 | 0.20 | 0.13 | 0.07 | | |
| 5°C | W | 9.0 | 7.9 | 7.2 | 5.8 | 4.5 | 3.3 | 1.75 | 1.2 | 0.8 | 0.48 | 0.37 | 0.24 | 0.13 | | |
| 1.60V | A | 7.2 | 6.4 | 5.6 | 4.4 | 3.2 | 2.3 | 1.1 | 0.8 | 0.5 | 0.26 | 0.21 | 0.14 | 0.07 | | |
| 5°C | W | 11.2 | 9.8 | 8.7 | 7.0 | 5.3 | 3.5 | 1.8 | 1.3 | 0.8 | 0.51 | 0.39 | 0.25 | 0.14 | | |