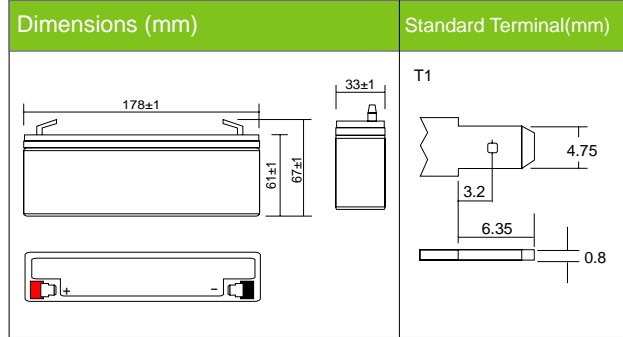
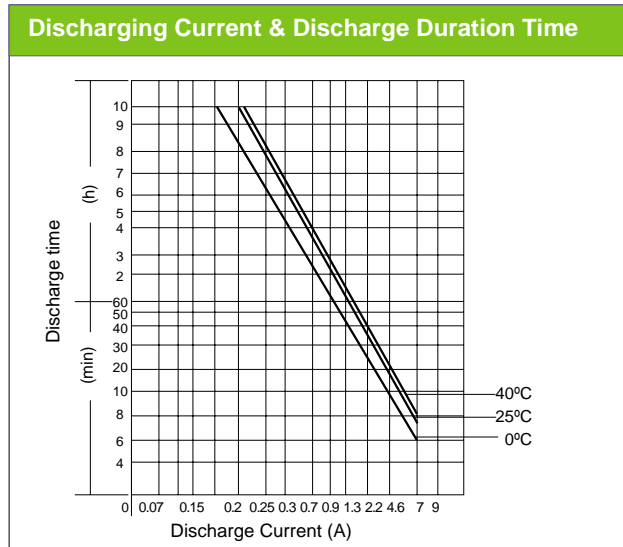


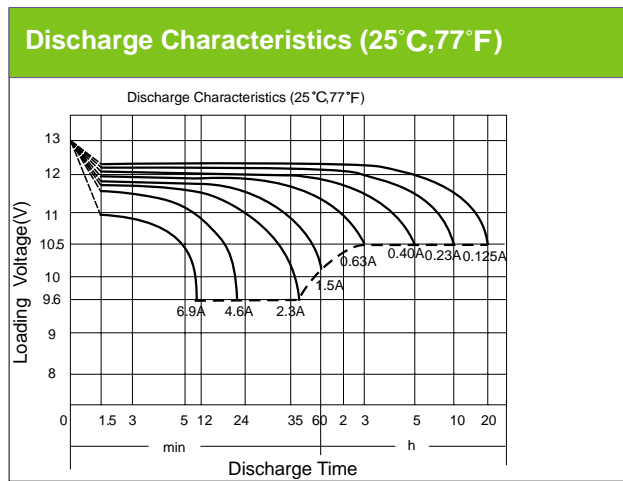
BD12-2.3 (12V2.3Ah)



PHYSICAL SPECIFICATION		
Nominal Voltage		12V
Nominal Capacity (20h)		2.3Ah
Dimension	Length	178±1mm (7.00 inches)
	Width	35±1mm (1.38 inches)
	Container Height	60±1mm (2.36 inches)
	Total Height (with Terminal)	66±1mm (2.60 inches)
Weight		Approx. 1.0kg (2.20lbs)
Standard Terminal		T1 (standard)



ELECTRICAL SPECIFICATION					
Rated Capacity	20 hour rate (125mA)	2.5Ah	Constant-Voltage Charge	Cycle	Initial Charging Current less than 0.69A. Voltage 14.4V~ 15.0V at 25°C (77°F) Temp. Coefficient -30mV/°C
	10 hour rate (230mA)	2.3Ah			
	5 hour rate (400mA)	2.0Ah			
	1 hour rate (1.50A)	1.5Ah			
Capacity affected by Temperature	40°C (104°F)	103%	Standby	No limit on Initial Charging Current Voltage 13.5V~13.8V at 25°C(77°F) Temp. Coefficient - 20mV/°C	
	25°C (77°F)	100%			
	0°C (32°F)	86%			
Internal Resistance	Fully charged battery (25°C, 77°F) 40mΩ				



Constant Current (Amp) and Constant Power (Watt/Cell) Discharge Table													Discharge Time (Minute) to final voltage /cell	
Final Voltage	Time	0.5	1	2	3	6	10	20	30	60	120	180	300	600
1.75V	A	15.9	14.5	13.2	10.6	9.2	7.2	3.7	2.6	1.5	0.9	0.63	0.40	0.23
25°C	W	25.1	21.5	19.6	15.6	13.8	11.6	7.0	3.7	2.8	1.7	1.4	0.86	0.49
1.70V	A	21.4	19.1	17.0	13.8	9.3	7.3	3.8	2.9	1.5	0.9	0.7	0.44	0.26
25°C	W	34.3	29.4	26.6	21.5	15.5	11.7	7.1	4.8	3.1	1.8	1.4	0.91	0.49
1.60V	A	27.8	24.5	21.5	16.9	12.3	7.8	3.9	3.1	1.7	1.0	0.8	0.49	0.29
25°C	W	40	34.5	30.8	24.2	17.2	13.0	7.4	5.1	3.3	1.8	1.5	0.94	0.53
1.75V	A	13.8	12.5	11.6	9.2	6.9	5.5	3.6	2.5	1.4	0.8	0.6	0.41	0.23
5°C	W	22.0	19.8	18.5	14.5	11.3	9.6	6.1	3.6	2.4	1.5	1.2	0.76	0.41
1.70V	A	19.1	17.6	15.8	12.5	9.2	6.9	3.7	2.6	1.5	0.8	0.6	0.44	0.23
5°C	W	29.4	26.0	23.8	19.1	14.3	10.7	7.0	4.4	2.6	1.6	1.2	0.79	0.45
1.60V	A	23.8	21.2	18.3	14.3	9.9	7.4	3.8	2.6	1.5	0.9	0.7	0.46	0.24
5°C	W	36.7	32.1	28.6	23.1	16.8	11.1	7.1	4.6	2.7	1.6	1.3	0.81	0.47