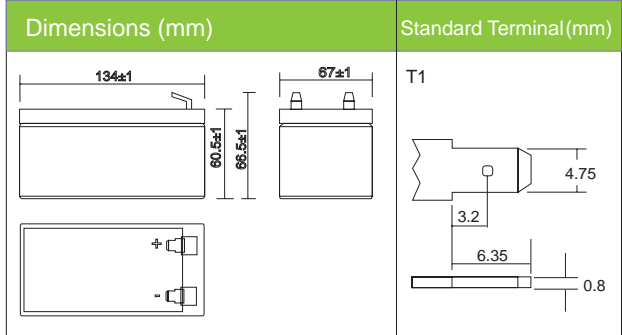
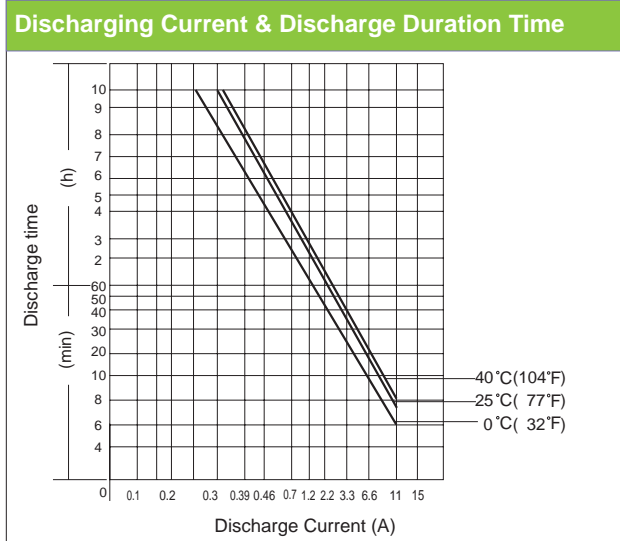


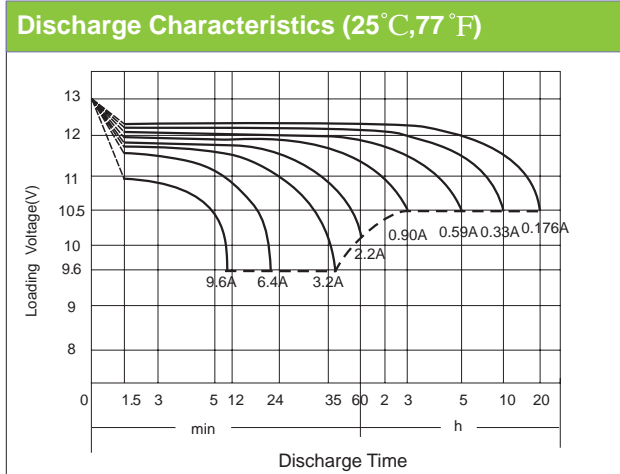
# BD12-3.2 (12V3.2Ah)



PHYSICAL SPECIFICATION		
Nominal Voltage		12V
Nominal Capacity (20h)		3.2Ah
Dimension	Length	$134 \pm 1$ mm (5.28 inches)
	Width	$67 \pm 1$ mm (2.64 inches)
	Container Height	$60.5 \pm 1$ mm (2.38 inches)
	Total Height (with Terminal)	$66.5 \pm 1$ mm (2.62 inches)
Weight		Approx 1.32kg (2.91lbs)
Standard Terminal		T1(standard)



ELECTRICAL SPECIFICATION				
Rated Capacity	20 hour rate (176mA)	3.5Ah	Constant-Voltage Charge	
	10 hour rate (330mA)	3.3Ah		
	5 hour rate (594mA)	2.9Ah		
	1 hour rate (2.2A)	2.2Ah		
Capacity affected by Temperature	40°C (104°F)	103%	Standby	
	25°C (77°F)	100%		
	0°C (32°F)	86%		
Internal Resistance	Fully charged battery (25°C, 77°F) 38mΩ			
			Cycle	Initial Charging Current less than 1.0A. Voltage 14.4V-15.0V at 25°C (77°F) Temp. Coefficient -30mV/°C
			Standby	No limit on Initial Charging Current Voltage 13.5V-13.8V at 25°C(77°F) Temp. Coefficient -20mV/°C



Constant Current (Amp) and Constant Power (Watt/Cell) Discharge Table											Discharge Time (Minute) to final voltage /cell			
Final voltage	Time	0.5	1	2	3	6	10	20	30	60	120	180	300	600
1.75V	A	21.1	19.4	17.6	14.1	12.3	9.7	4.8	3.5	2.1	1.2	0.90	0.59	0.33
25°C	W	33.4	28.8	26.2	20.9	18.5	15.6	9.4	4.9	3.9	2.3	1.87	1.21	0.66
1.70V	A	28.4	25.5	23.2	18.5	14.9	10.6	5.5	3.9	2.2	1.2	0.99	0.62	0.34
25°C	W	45.8	39.3	35.5	28.8	22.4	16.5	10.6	6.5	4.2	2.4	1.87	1.32	0.68
1.60V	A	37.0	32.6	28.7	22.7	17.6	11.2	6.4	4.1	2.3	1.3	1.05	0.66	0.35
25°C	W	53.3	46.0	41.1	32.3	25.0	19.0	11.4	6.7	4.2	2.5	1.98	1.32	0.70
1.75V	A	18.5	16.7	15.6	12.3	9.9	8.1	4.6	3.3	1.9	1.0	0.77	0.44	0.30
5°C	W	29.4	26.4	24.6	19.4	16.5	13.8	8.3	4.4	3.2	2.0	1.54	0.99	0.55
1.70V	A	25.5	23.5	21.1	16.7	13.2	9.9	4.8	3.4	2.0	1.1	0.88	0.50	0.31
5°C	W	39.4	34.7	31.7	25.5	20.9	15.3	9.4	4.8	3.5	2.2	1.65	1.05	0.62
1.60V	A	31.7	28.1	24.4	19.1	14.7	10.8	5.0	3.6	2.0	1.2	0.94	0.55	0.32
5°C	W	49.0	42.9	38.2	30.8	24.4	16.2	10.2	5.2	3.6	2.2	1.76	1.10	0.66