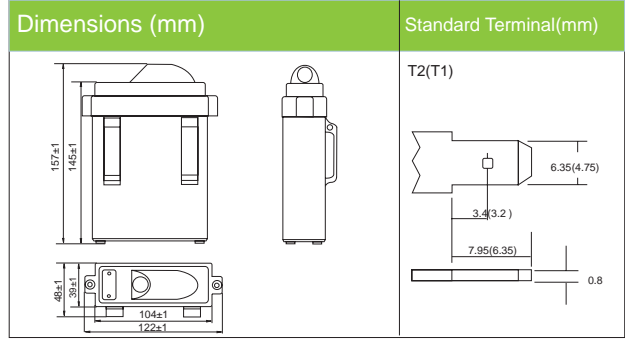
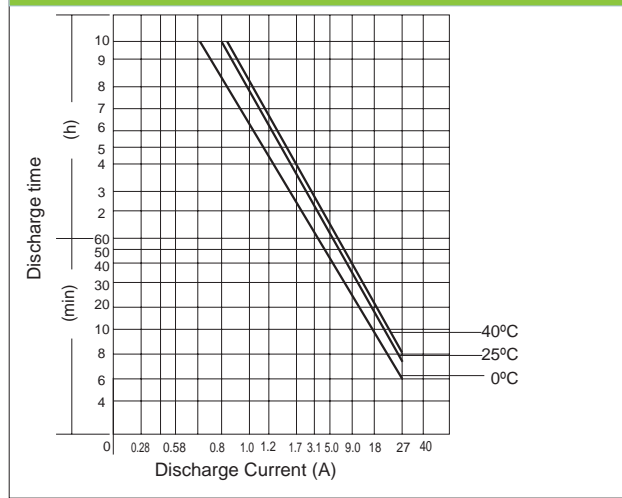


BD4-9.0 (4V9.0Ah)



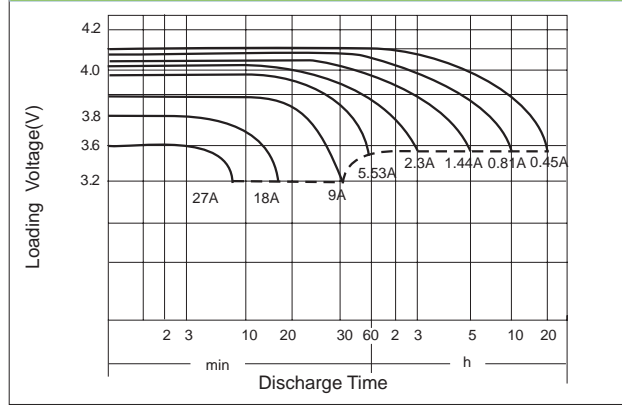
Discharging Current & Discharge Duration Time



PHYSICAL SPECIFICATION

Nominal Voltage		4V
Nominal Capacity (20h)		9.0Ah
Dimension	Length	122±1mm (4.8 inches)
	Width	48±1mm (1.89 inches)
	Container Height	145±1mm (5.71 inches)
	Total Height (with Cover)	157±1mm (6.18 inches)
Weight		Approx. 1.2 kg (2.65lbs)
Standard Terminal		T2 or T1 (standard)

Discharge Characteristics (25°C)



ELECTRICAL SPECIFICATION

Rated Capacity	20 hour rate (450mA)	9.0Ah	Constant-Voltage Charge	Cycle	Initial Charging Current less than 2.7A. Voltage 4.80V~5.00V at 25°C (77°F) Temp. Coefficient -10mV/°C
	10 hour rate (810mA)	8.1Ah			
	5 hour rate (1.44 A)	7.2Ah			
	1 hour rate (5.53 A)	5.53Ah			
Capacity affected by Temperature	40°C (104°F)	103%	Standby	No limit on Initial Charging Current Voltage 4.50V~4.60V at 25°C Temp. Coefficient -6mV/°C	
	25°C (77°F)	100%			
	0°C (32°F)	86%			
Internal Resistance	Fully charged battery (25°C, 77°F) 8mΩ				

Constant Current (Amp) and Constant Power (Watt/Cell) Discharge Table

Final Voltage	Time	Discharge Time (Minute) to final voltage /cell												
		0.5	1	2	3	6	10	20	30	60	120	180	300	600
1.75V	A	54	49	45	36	31	23	12.8	9.9	5.4	2.9	2.3	1.44	0.81
25°C	W	85	73	66	53	47	39	24	13	9.7	5.9	4.6	2.90	1.66
1.70V	A	72	65	59	47	36	26	15	10	5.5	3.2	2.4	1.54	0.90
25°C	W	116	100	90	73	55	40	27	18	10.6	6.1	4.9	3.07	1.66
1.60V	A	94	83	73	57	43	27	18	11	5.7	3.3	2.6	1.66	0.90
25°C	W	135	117	104	82	61	46	29	19	11.3	6.4	5.0	3.20	1.79
1.75V	A	47	42	40	31	24	20	12	8.8	4.8	2.5	2.0	1.41	0.72
5°C	W	74	67	62	49	40	34	21	12	8.1	5.0	4.0	2.56	1.32
1.70V	A	65	59	53	42	32	24	14	9.9	5.0	2.8	2.2	1.47	0.79
5°C	W	100	88	80	65	51	37	24	15	9.1	5.4	4.1	2.69	1.54
1.60V	A	80	71	61	48	36	26	15	9.9	5.1	2.9	2.3	1.50	0.82
5°C	W	124	102	97	78	60	40	24	16.5	9.3	5.6	4.4	2.80	1.60