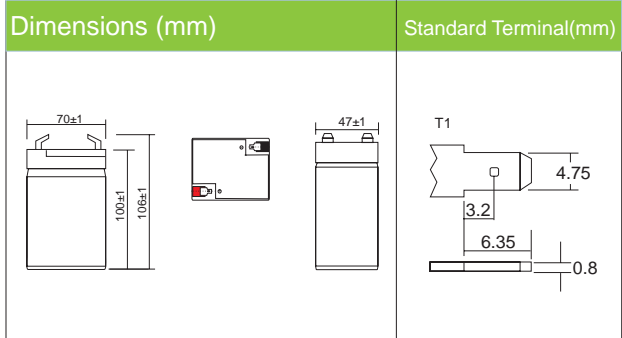
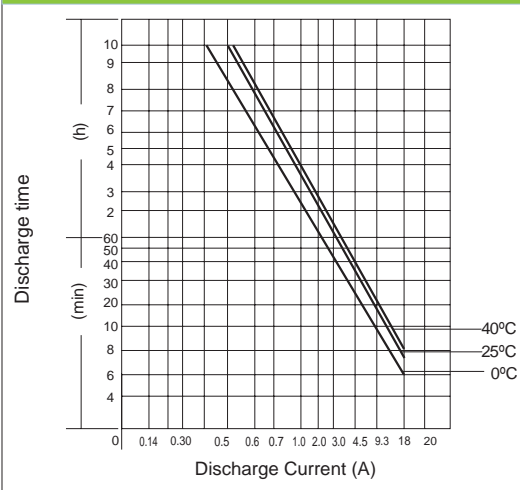


# BD6-6.0 (6V6.0Ah)



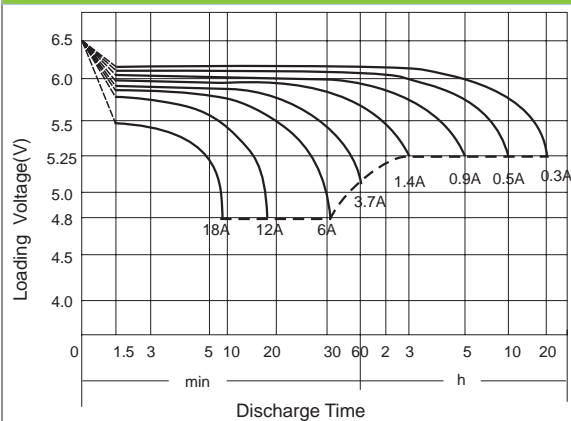
## Discharging Current & Discharge Duration Time



## PHYSICAL SPECIFICATION

Nominal Voltage		6V
Nominal Capacity (20h)		6.0Ah
Dimension	Length	70±1mm (2.76 inches)
	Width	47±1mm (1.85 inches)
	Container Height	100±1mm (3.94 inches)
	Total Height (with Terminal)	106±1mm (4.17 inches)
Weight		Approx 0.86kg (1.9lbs)
Standard Terminal		T1 (Standard)

## Discharge Characteristics (25°C, 77°F)



## ELECTRICAL SPECIFICATION

Rated Capacity	20 hour rate (0.3 A)	6.0Ah	Constant-Voltage	Cycle	Initial Charging Current less than 1.8A. Voltage 7.20V~7.50V at 25°C (77°F) Temp. Coefficient -15mV/°C
	10 hour rate (0.5 A)	5.0Ah			
	5 hour rate (0.9 A)	4.5Ah			
	1 hour rate (3.7 A)	3.7Ah			
	15minute rate (10 A)	2.5Ah			
Capacity affected by Temperature	40°C (104°F)	103%	Charge	Standby	No limit on Initial Charging Current Voltage 6.75V~6.90V at 25°C(77°F) Temp. Coefficient -10mV/°C
	25°C (77°F)	100%			
	0°C (32°F)	86%			
Internal Resistance	Fully charged battery (25°C, 77°F) 13mΩ				

## Constant Current (Amp) and Constant Power (Watt/Cell) Discharge Table

Discharge Time (Minute) to final voltage/cell

Final Voltage	Time	0.5	1	2	3	6	10	20	30	60	120	180	300	600
1.75V	A	33.3	30.6	27.8	22.2	19.5	15.3	7.2	5.5	3.7	1.8	1.4	0.9	0.5
25°C	W	52.9	45.5	41.3	32.9	29.2	24.6	13.7	7.9	6.0	3.7	2.74	1.86	0.98
1.70V	A	45.0	40.3	36.6	29.2	22.5	16.0	8.4	6.0	3.9	1.9	1.45	0.91	0.62
25°C	W	72.3	62.2	56.1	45.5	34.0	25.5	14.3	10.2	6.6	3.6	2.86	1.92	1.11
1.60V	A	58.4	51.3	45.5	35.7	26.7	17.0	9.6	6.6	4.1	2.0	1.50	0.98	0.68
25°C	W	84.2	72.8	64.9	51.0	38	28.8	15.6	10.7	6.8	3.7	3.00	1.98	1.24
1.75V	A	29.2	26.4	24.6	19.5	15.0	12.2	6.8	5.2	3.5	1.7	1.35	0.8	0.43
5°C	W	46.3	41.7	38.9	30.6	25.0	21.0	12.9	7.2	6.0	3.1	2.47	1.61	0.86
1.70V	A	40.3	37.0	33.4	26.4	20.0	15.0	7.0	5.3	3.7	1.79	1.39	0.86	0.49
5°C	W	62.2	54.7	50.0	39.7	31.7	23.3	13.7	7.9	6.2	3.45	2.72	1.67	0.98
1.60V	A	50.0	44.5	38.4	30.1	22.3	16.5	7.1	5.6	3.9	1.86	1.42	0.89	0.55
5°C	W	77.4	67.7	60.3	48.7	37.0	24.5	15.0	9.7	6.4	3.59	2.74	1.73	1.11