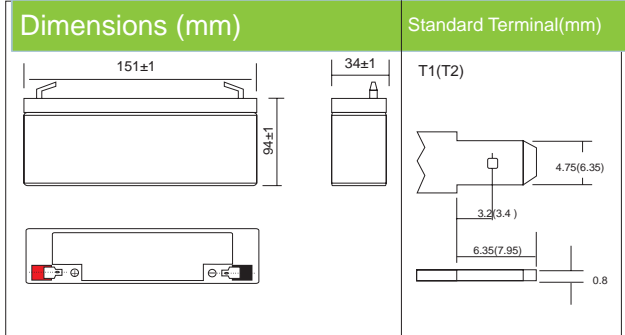
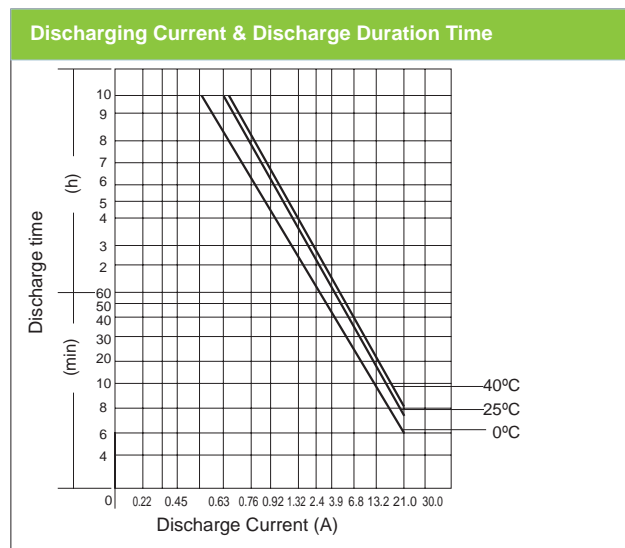


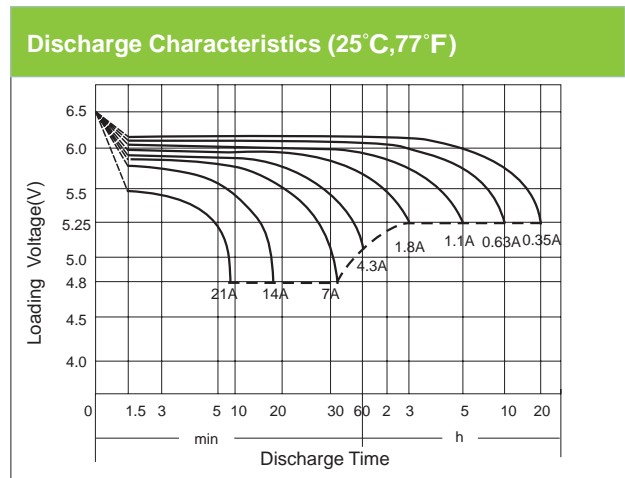
# BD6-7.0 (6V7.0Ah)



PHYSICAL SPECIFICATION		
Nominal Voltage		6V
Nominal Capacity (20h)		7.0Ah
Dimension	Length	151±1mm (5.95 inches)
	Width	34±1mm (1.34 inches)
	Container Height	94±1mm (3.70 inches)
	Total Height (with Terminal)	100±1mm (3.94 inches)
Weight		Approx 1.26kg (2.78lbs)
Standard Terminal		T1 or T2 (standard)



ELECTRICAL SPECIFICATION					
Rated Capacity	20 hour rate (350mA)	7.0Ah	Constant-Voltage	Cycle	Initial Charging Current less than 2.1A. Voltage 7.20V~ 7.50V at 25°C (77°F) Temp. Coefficient -15mV/°C
	10 hour rate (630mA)	6.3Ah			
	5 hour rate (1.10 A)	5.5Ah			
	1 hour rate (4.3 A)	4.3Ah			
	15minute rate (10.5 A)	2.6Ah			
Capacity affected by Temperature	40°C (104°F)	103%	Charge	Standby	No limit on Initial Charging Current Voltage 6.75V~6.90V at 25°C(77°F) Temp. Coefficient - 10mV/°C
	25°C (77°F)	100%			
	0°C (32°F)	86%			
Internal Resistance	Fully charged battery (25°C, 77°F) 12mΩ				



Constant Current (Amp) and Constant Power (Watt/Cell) Discharge Table											Discharge Time (Minute) to final voltage /cell			
Final voltage	Time	0.5	1	2	3	6	10	20	30	60	120	180	300	600
1.75V	A	42.0	38.5	35.0	28.0	24.5	19.2	9.7	7.2	4.2	2.3	1.8	1.1	0.63
25°C	W	66.5	57.1	51.9	41.4	36.7	30.9	16.7	9.9	7.6	4.6	3.6	2.3	1.30
1.70V	A	56.6	50.7	46.1	36.7	28.3	20.1	10.0	7.6	4.3	2.5	1.9	1.2	0.70
25°C	W	91.0	78.1	70.5	57.1	42.8	32.1	18.9	12.9	8.3	4.8	3.8	2.4	1.30
1.60V	A	73.5	64.7	57.1	44.9	33.7	21.4	12.2	8.2	4.6	2.6	2.0	1.3	0.75
25°C	W	106.0	91.5	81.6	64.1	50.9	36.2	22.7	13.4	8.8	5.0	3.9	2.5	1.40
1.75V	A	36.7	33.2	30.9	24.5	18.9	15.4	9.6	6.7	3.7	2.1	1.6	1.1	0.60
5°C	W	58.3	52.5	49.0	38.5	31.5	26.4	16.3	9.6	6.3	3.9	3.1	2.0	1.10
1.70V	A	50.7	46.6	42.0	33.2	25.2	18.9	9.9	6.9	3.9	2.2	1.7	1.15	0.62
5°C	W	78.1	68.8	63.0	50.7	40.0	29.2	17.7	11.5	7.1	4.2	3.2	2.1	1.24
1.60V	A	63.0	56.0	48.4	37.9	28.0	20.7	11.2	7.1	4.0	2.3	1.8	1.2	0.64
5°C	W	97.4	85.1	75.8	61.2	46.6	30.9	20.4	12.2	7.3	4.4	3.4	2.2	1.25