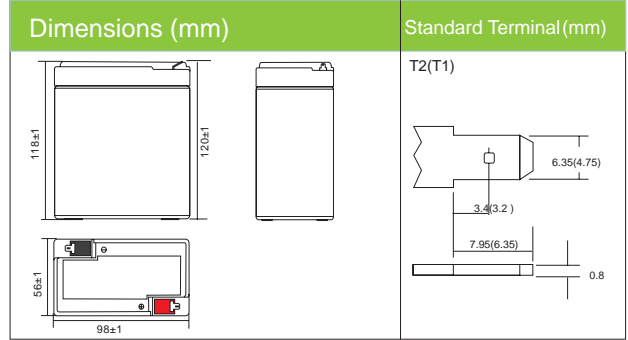
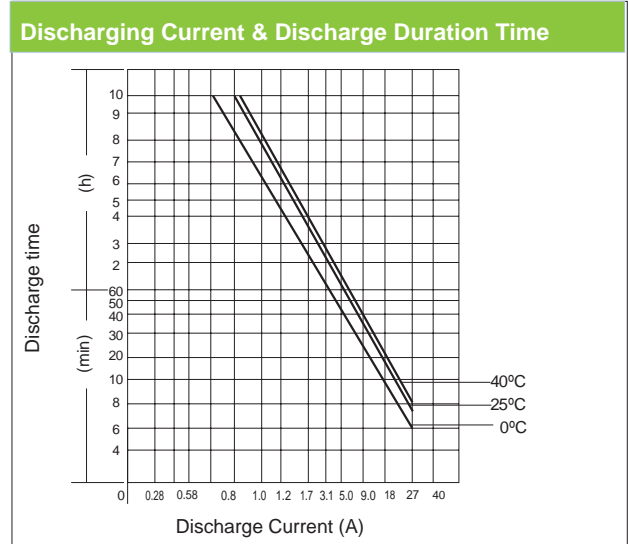


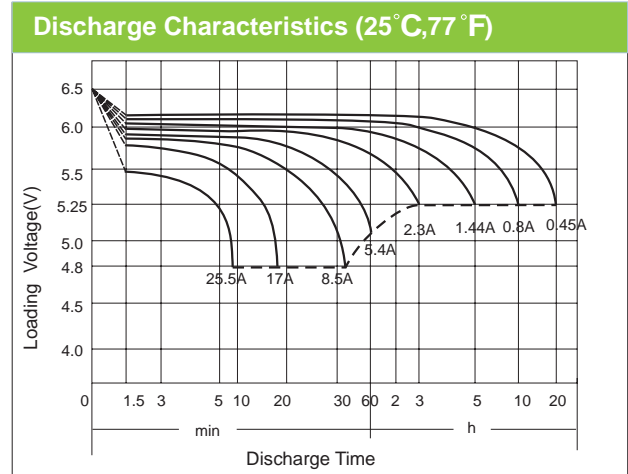
BD6-8.5 (6V8.5Ah)



PHYSICAL SPECIFICATION		
Nominal Voltage		6V
Nominal Capacity (20h)		8.5Ah
Dimension	Length	98±1mm (3.86 inches)
	Width	56±1mm (2.20 inches)
	Container Height	118±1mm (4.65 inches)
	Total Height (with Cover)	120±1mm (4.72 inches)
Weight		Approx 1.52kg (3.35lbs)
Standard Terminal		T2 or T1 (standard)



ELECTRICAL SPECIFICATION					
Rated Capacity	20 hour rate (450mA)	9.0Ah	Constant-Voltage Charge	Cycle	Initial Charging Current less than 2.55A. Voltage 7.20V~ 7.50V at 25°C (77°F) Temp. Coefficient -15mV/°C
	10 hour rate (800mA)	8.0Ah			
	5 hour rate(1440mA)	7.2Ah			
	1 hour rate (5.4 A)	5.4Ah			
	15minute rate (14.4 A)	3.6Ah			
Capacity affected by Temperature	40°C (104°F)	103%	Standby Charge	Standby	No limit on Initial Charging Current Voltage 6.75V~6.90V at 25°C(77°F) Temp. Coefficient - 10mV/°C
	25°C (77°F)	100%			
	0°C (32°F)	86%			
Internal Resistance	Fully charged battery (25°C, 77°F) 10mΩ				



Constant Current (Amp) and Constant Power (Watt/Cell) Discharge Table											Discharge Time (Minute) to final voltage /cell			
Final voltage	Time	0.5	1	2	3	6	10	20	30	60	120	180	300	600
1.75V	A	54	49	45	36	31	23	13.4	9	5.3	2.9	2.3	1.44	0.80
25°C	W	85	73	66	53	47	39	24	12	9.7	5.9	4.5	2.90	1.66
1.70V	A	72	65	59	47	36	26	14	9	5.4	3.2	2.5	1.54	0.90
25°C	W	116	100	90	73	55	40	27	16	10.6	6.1	4.9	3.07	1.66
1.60V	A	94	83	73	57	43	27	16	10	5.6	3.3	2.6	1.66	0.90
25°C	W	135	117	104	82	61	46	29	17	11.3	6.4	5.0	3.20	1.79
1.75V	A	47	42	39	31	24	20	12	8	4.8	2.5	2.0	1.41	0.72
5°C	W	74	67	62	49	40	34	21	11	8.1	5.0	4.0	2.56	1.32
1.70V	A	65	59	54	42	32	24	13.4	9	5.0	2.8	2.2	1.47	0.79
5°C	W	100	88	80	65	51	37	24	15	9.1	5.4	4.1	2.69	1.54
1.60V	A	80	71	61	48	36	26	15	9	5.1	2.9	2.3	1.50	0.82
5°C	W	124	102	97	78	60	40	24	16	9.3	5.6	4.4	2.80	1.60