

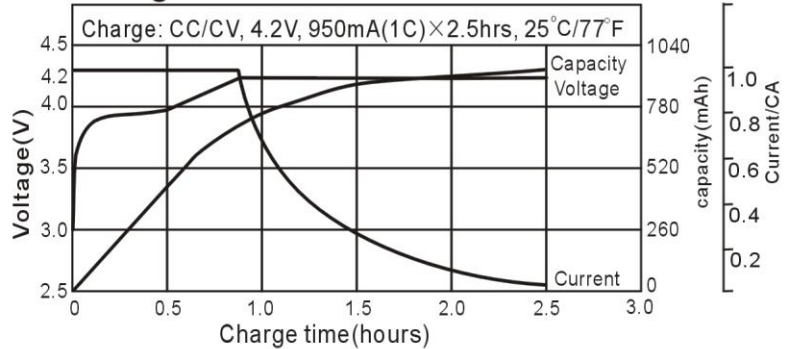
BYD Li-ion Battery Individual Data Sheets

LC1750

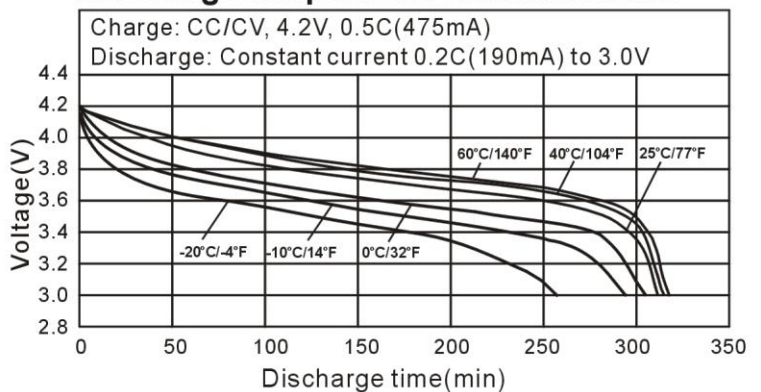
Specifications

Nominal Voltage		3.7V	
Capacity ¹ (mAh)	0.2C Discharge		
	Minimum	850mAh ²	
	Typical ³	950mAh	
Dimen- Sions		mm	inch
	Diameter	16.8 ⁰ _{-0.3}	0.661 ⁰ _{-0.012}
	Height	49.8 ⁰ _{-0.5}	1.961 ⁰ _{-0.020}
Weight *		Grams	Ounces
		25.5	0.92
Internal impedance* at 1000Hz		<95 mΩ (After charge)	
Charge	Standard	475mA(0.5C)×5hrs	
	Rapid	950mA(1C)×2.5hrs	
Ambient temperature		°C	°F
	Charge	0°C to 45°C	32°F to 113°F
	Discharge	-20°C to 60°C	-4°F to 140°F
	Storage	-20°C to 45°C	-4°F to 113°F

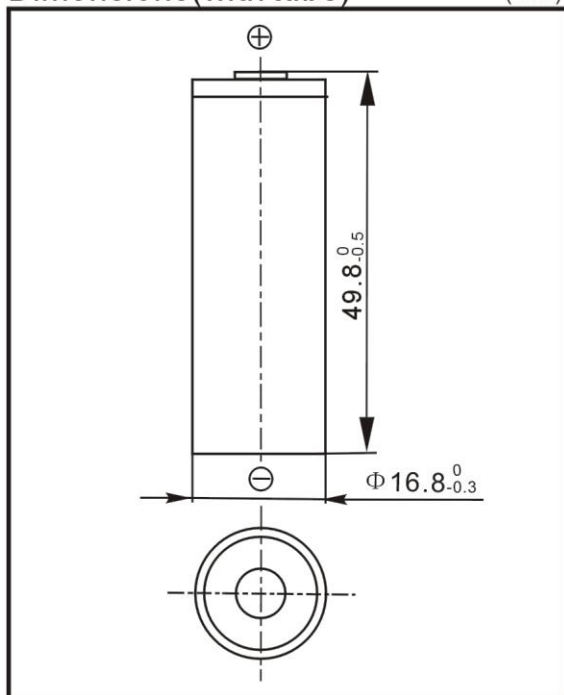
Charge characteristics



Discharge temperature characteristics



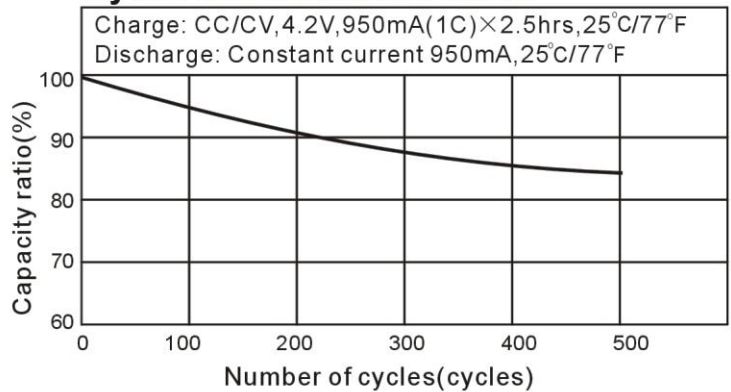
Dimensions(with tube) (mm)



Note:

1. After charging at 1C for 2.5 hours.
 2. Nominal capacity, rated at 0.2C, 25°C/77°F.
 3. Average capacity. For reference only.
- *. Weight and internal impedance are for reference.

Cycle life characteristics



Storage characteristic

