

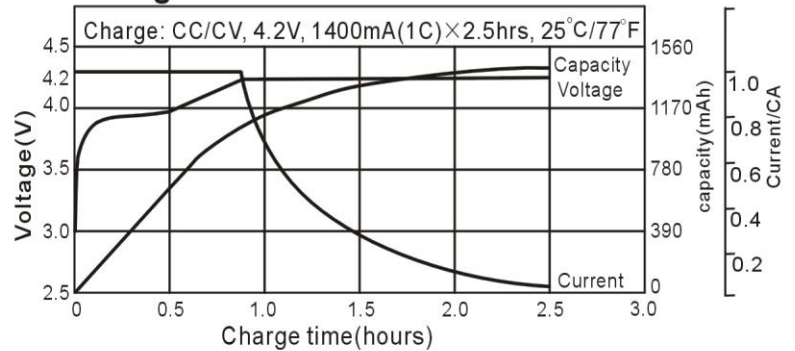
# BYD Li-ion Battery Individual Data Sheets

## LC1850

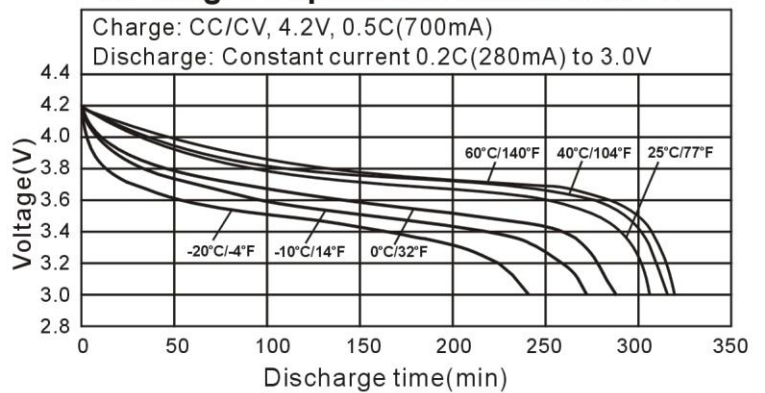
### Specifications

Nominal Voltage		3.7V	
Capacity <sup>1</sup> (mAh)	0.2C Discharge		
	Minimum	1300mAh <sup>2</sup>	
	Typical <sup>3</sup>	1400mAh	
Dimen- Sions		mm	inch
	Diameter	18.3 <sup>0.3</sup>	0.720 <sup>0.012</sup>
	Height	49.8 <sup>0.5</sup>	1.961 <sup>0.020</sup>
Weight <sup>*</sup>		Grams	Ounces
		32	1.16
Internal impedance <sup>*</sup> at 1000Hz		<90 mΩ (After charge)	
Charge	Standard	700mA(0.5C)×5hrs	
	Rapid	1400mA(1C)×2.5hrs	
Ambient temperature	Charge	°C	°F
		0°C to 45°C	32°F to 113°F
	Discharge	-20°C to 60°C    -4°F to 140°F	
	Storage	-20°C to 45°C    -4°F to 113°F	

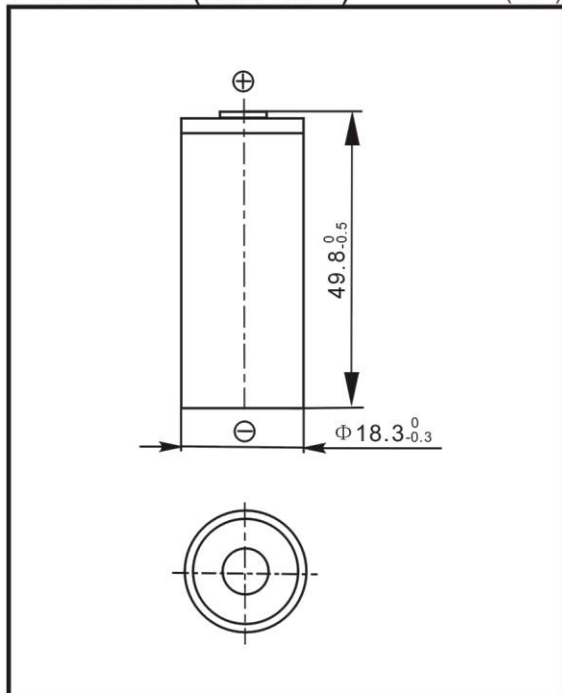
### Charge characteristics



### Discharge temperature characteristics



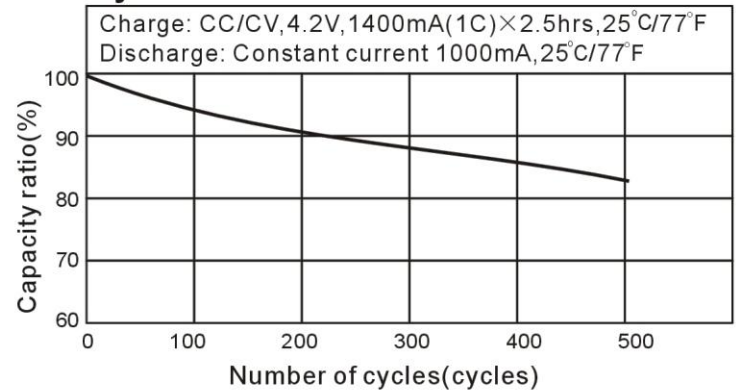
### Dimensions(with tube) (mm)



#### Note:

1. After charging at 1C for 2.5 hours.
  2. Nominal capacity, rated at 0.2C, 25°C/77°F.
  3. Average capacity. For reference only.
- \*. Weight and internal impedance are for reference.

### Cycle life characteristics



### Storage characteristic

